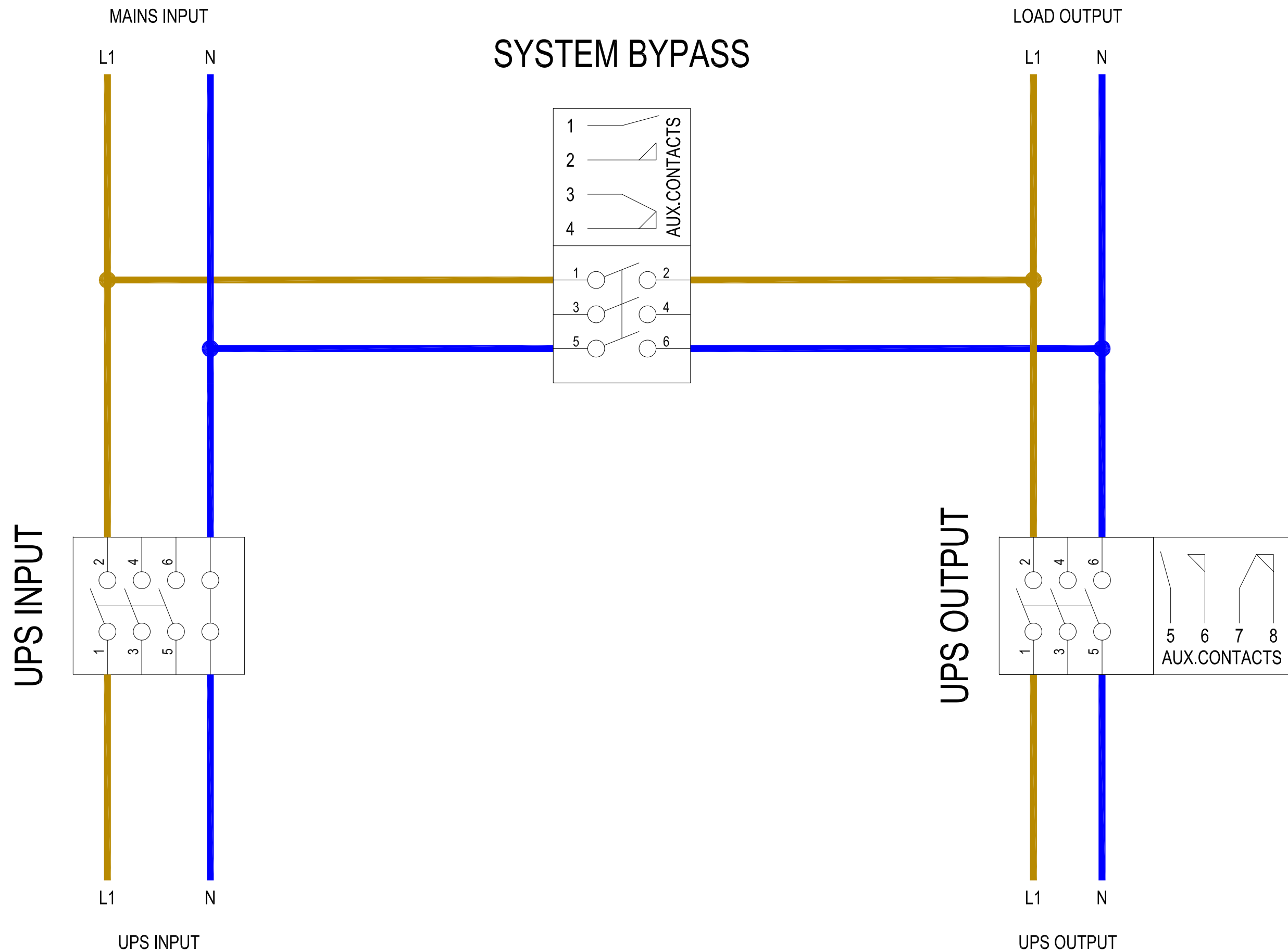


THIRD ANGLE PROJECTION
ALL DIMENSIONS IN mm UNLESS STATED

Scale: **Not To Scale** Size: **A3**

Notes:



Rev	Date	Description	Dr'n	Ck'd
00	25/01/19	FIRST ISSUE	C.B	P.J



Unit 1, Viscount Court
Walworth Industrial Estate, South Way
Andover, Hampshire, SP10 5NW
Tel: +44 (0) 1264 351217 Fax: +44 (0) 1264 351217

Project:
STANDARD PRODUCT

Drawing Title:
**SINGLE PHASE IN
SINGLE PHASE OUT
TYPE 2 SCHEMATIC**

Drawn By: **C.B** Date: **25/01/2019**

Checked By: **P.J** Date: **25/01/2019**

Drawing Number:
APS-BP-0303-00