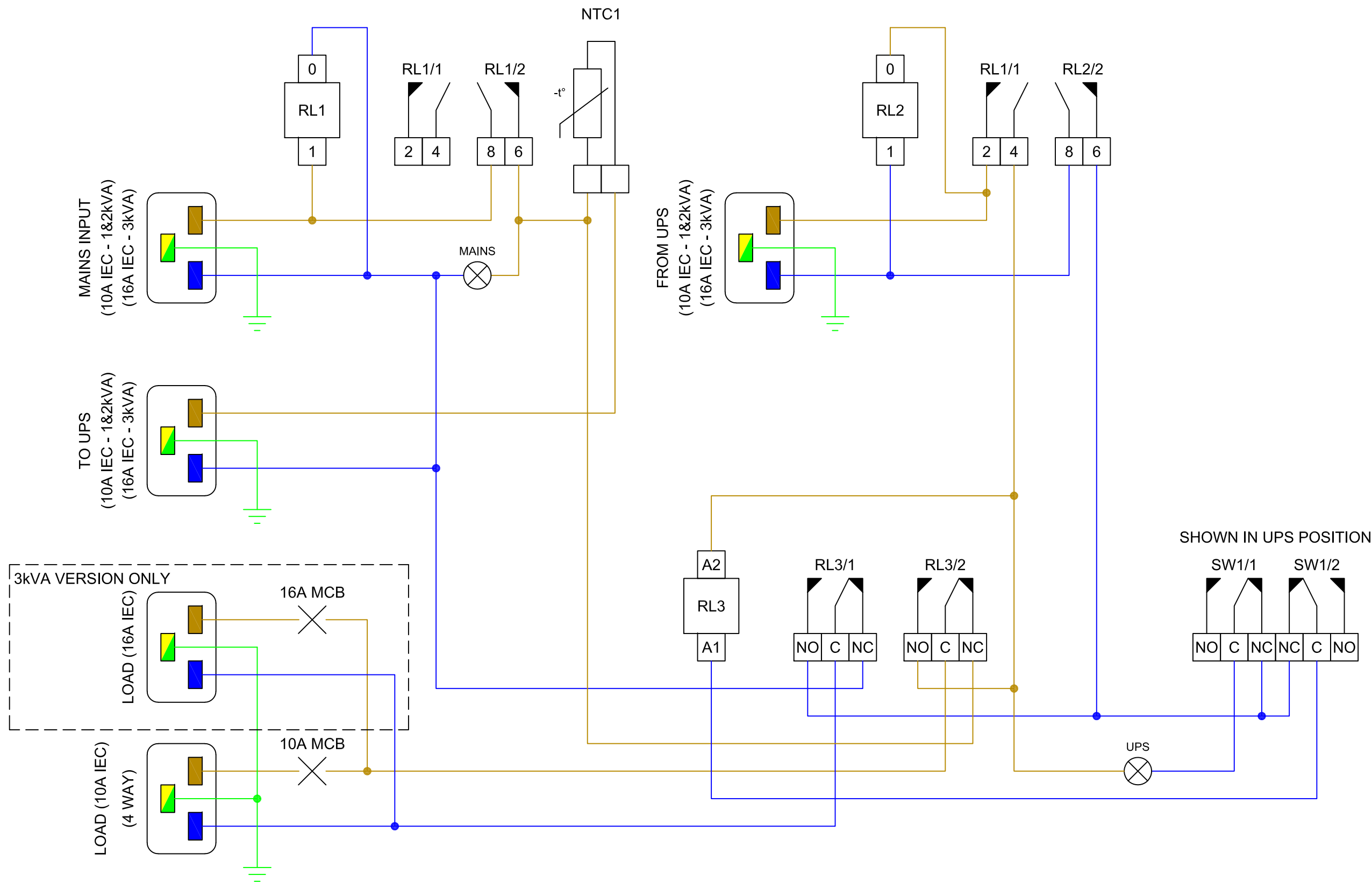


THIRD ANGLE PROJECTION  
ALL DIMENSIONS IN mm UNLESS STATED

Scale: **Not To Scale** Size: **A3**

Notes:  
RELAYS SHOWN IN DE-ENERGISED STATE.



Rev	Date	Description	Dr'n	Ck'd
00	28/01/19	FIRST ISSUE	C.B	M.W



Unit 1, Viscount Court  
Walworth Industrial Estate, South Way  
Andover, Hampshire, SP10 5NW  
Tel: +44 (0) 1264 351217 Fax: +44 (0) 1264 351217

Project:  
**STANDARD PRODUCT**

Drawing Title:  
**SINGLE PHASE IN  
SINGLE PHASE OUT  
AUTOMATIC RACK/WALL  
BYPASS SCHEMATIC  
1kVA, 2kVA & 3kVA**

Drawn By: **C.B** Date: **28/01/2019**

Checked By: **M.W** Date: **28/01/2019**

Drawing Number:  
**APS-BP-0309-00**