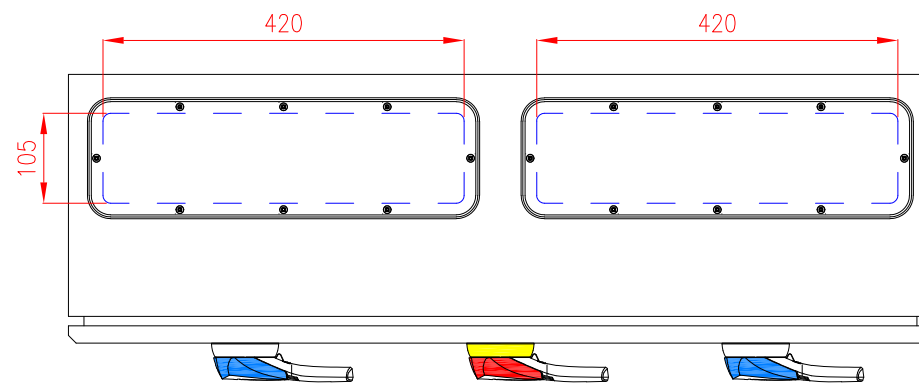


THIRD ANGLE PROJECTION
ALL DIMENSIONS IN mm UNLESS STATED

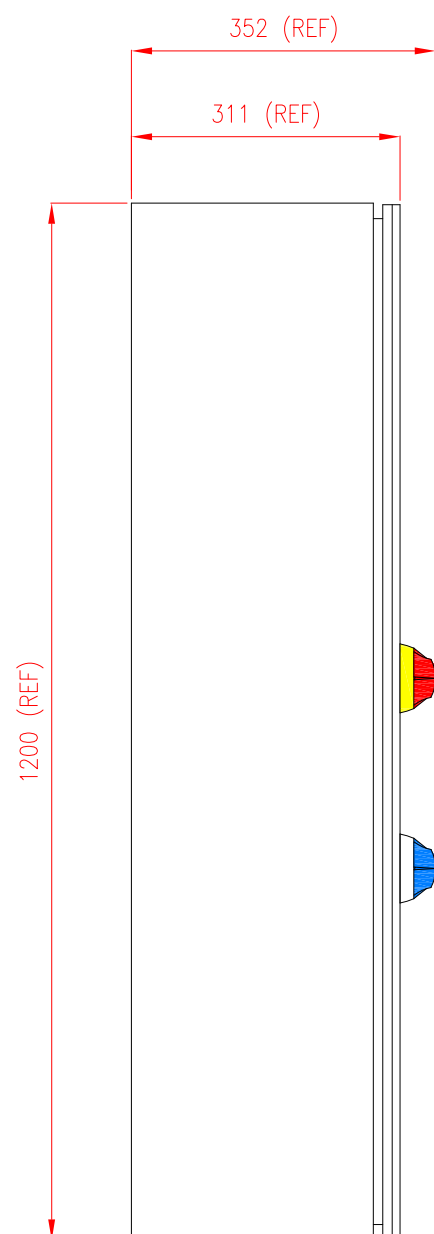
Scale: **Not To Scale** Size: **A3**

- Notes:**
1. MAXIMUM CABLE LUG SIZE FOR MAINS INPUT AND LOAD OUTPUT TERMINALS = 240mm² (M10 LUG).
 2. MAXIMUM CABLE SIZE FOR UPS INPUT AND UPS OUTPUT TERMINALS = 240mm² (M10 LUG).
 3. MAXIMUM CABLE SIZE FOR AUXILIARY CONTACTS = 4mm².
 4. REMOVABLE GLANDS PLATES AT TOP ONLY.
 5. PANEL COLOUR = RAL 7035.
 6. DOOR SHOWN HINGED ON THE LEFT. CAN BE HINGED ON THE RIGHT ON REQUEST.

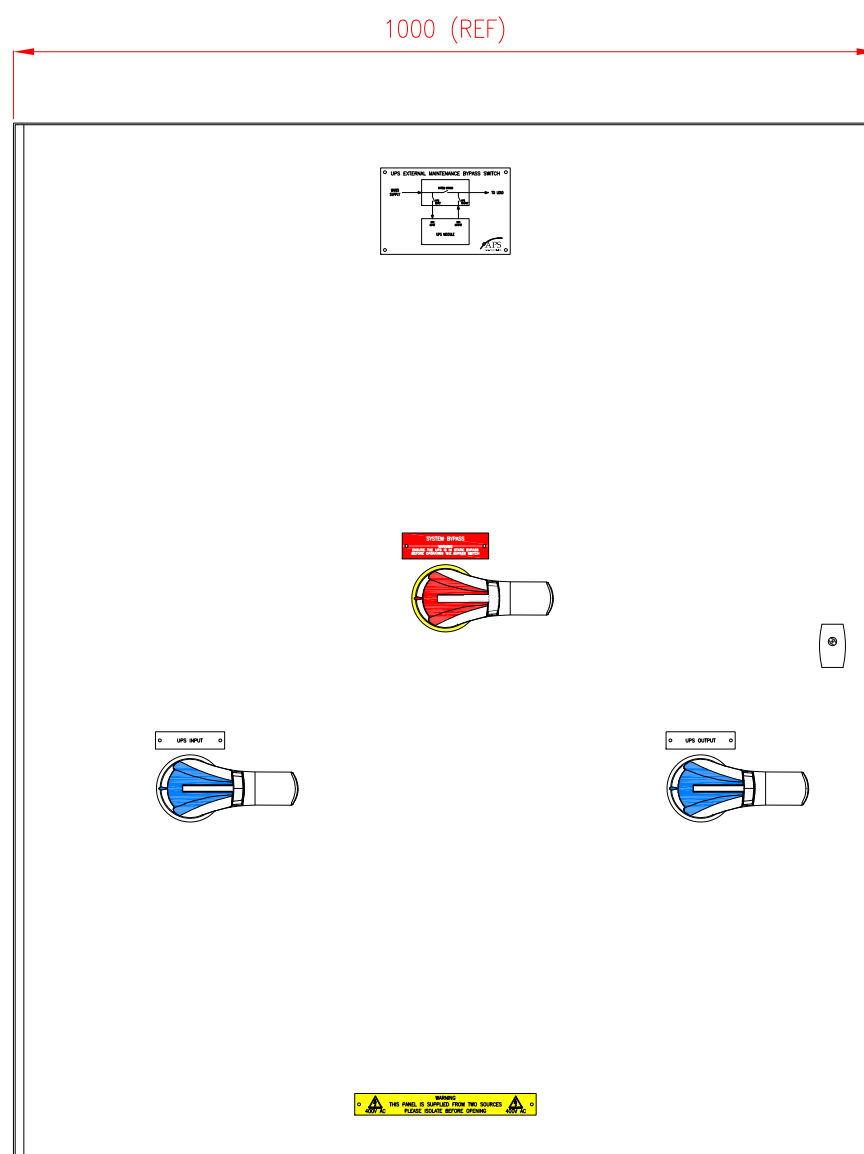
TOP VIEW



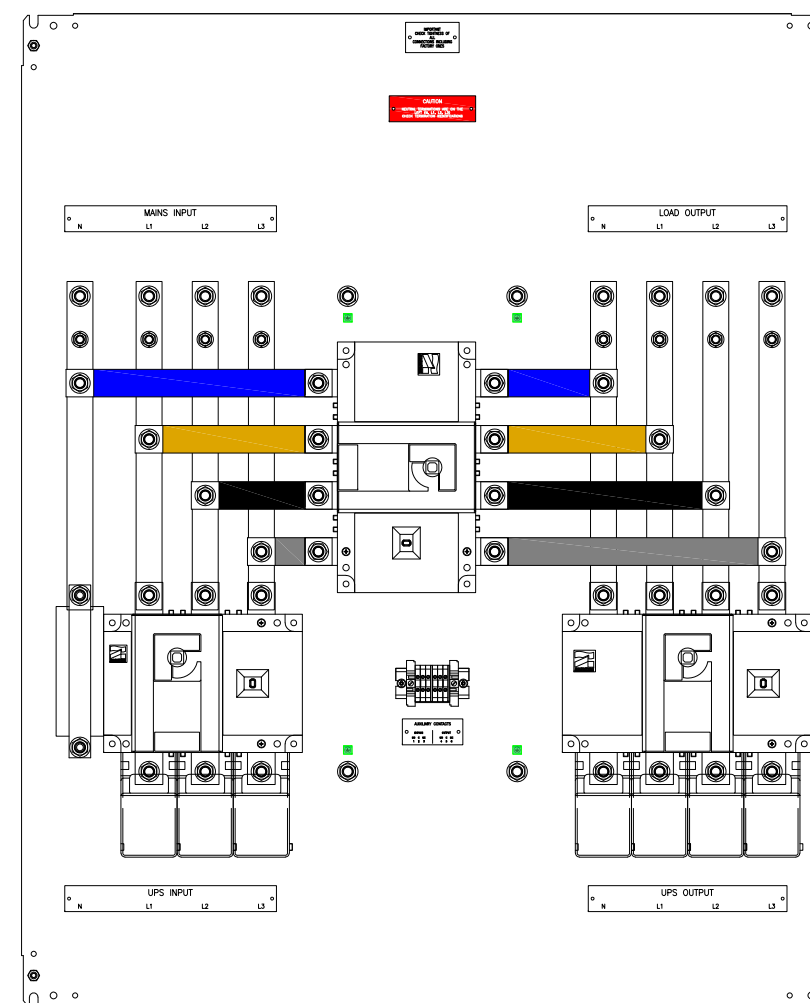
SIDE VIEW



FRONT VIEW



INTERNAL VIEW



Rev	Date	Description	Dr'n	Ck'd
00	25/01/19	FIRST ISSUE	C.B	P.J



Unit 1, Viscount Court
Walworth Industrial Estate, South Way
Andover, Hampshire, SP10 5NW
Tel: +44 (0) 1264 351217 Fax: +44 (0) 1264 351217

Project:
STANDARD PRODUCT

Drawing Title:
**WALL MOUNTED UPS
EXTERNAL MAINTENANCE
BYPASS PANEL (TYPE 2)
THREE PHASE IN
THREE PHASE OUT
RATING - 315A, 400A & 500A**

Drawn By: **C.B** Date: **25/01/2019**

Checked By: **P.J** Date: **25/01/2019**

Drawing Number:
APS-BP-0360-00